

Space Saver™ Series

Space Saving Sewage Pumps

PE-7 SS™

PE-9 SS™

PE-11 SS™

FEATURES

Transfer up to 140 GPM

Head levels up to 180'

160,000 psi strength shafts

Replaceable bronze insert
for lower cost parts

Leak resistant design with
Plunger Pac™ standard



WASTECORP.
PLUNGER PUMPS
OEM MANUFACTURER



Primary, Secondary or Tertiary Treatment. Choose The Compact Plunger Pump.

When it comes to space saving sewage pumps, Wastecorp has the ideal Space Saver plunger pump for your facility needs. Space Saver pumps can measure as little as 15¾' wide, making this series one of the most compact heavy duty sludge pumps on the market.

You can select from three packing options for superior leak protection plus, stainless steel, bronze or standard cast iron components for the ultimate customized plunger pump. All models include premium SEW Eurodrive or Siemens drive options.

General Specifications	Simplex PE-7SS	Simplex PE-9SS	Simplex PE-11SS
Number of plungers	1	1	1
Plunger dia. (in)	7	9	11
Air chambers	(1) 9"x30"		
Flanged connections	4" ANSI 125 #		
Driver speed, RPM	1200 1800		
Max. strokes per min.	50-62	50	50
Max. stroke length (in)	5.75	6.56	6.56
Max. total head (ft)	100	180	115
Max. rec. suction lift (ft)	20'		
Max. capacity (GPM)	60	100	140
Eccentric dia. (in)	8	10	10
Eccentric shaft tensile strength (PSI)	160,000		
Approx. weight (lbs)	400	600	800

Recommended Spare Parts

Ball valve (urethane)	33956-00
Plunger*	Model specific
Valve seat	36022-02
Packing	Select style

CUSTOMER SUPPORT

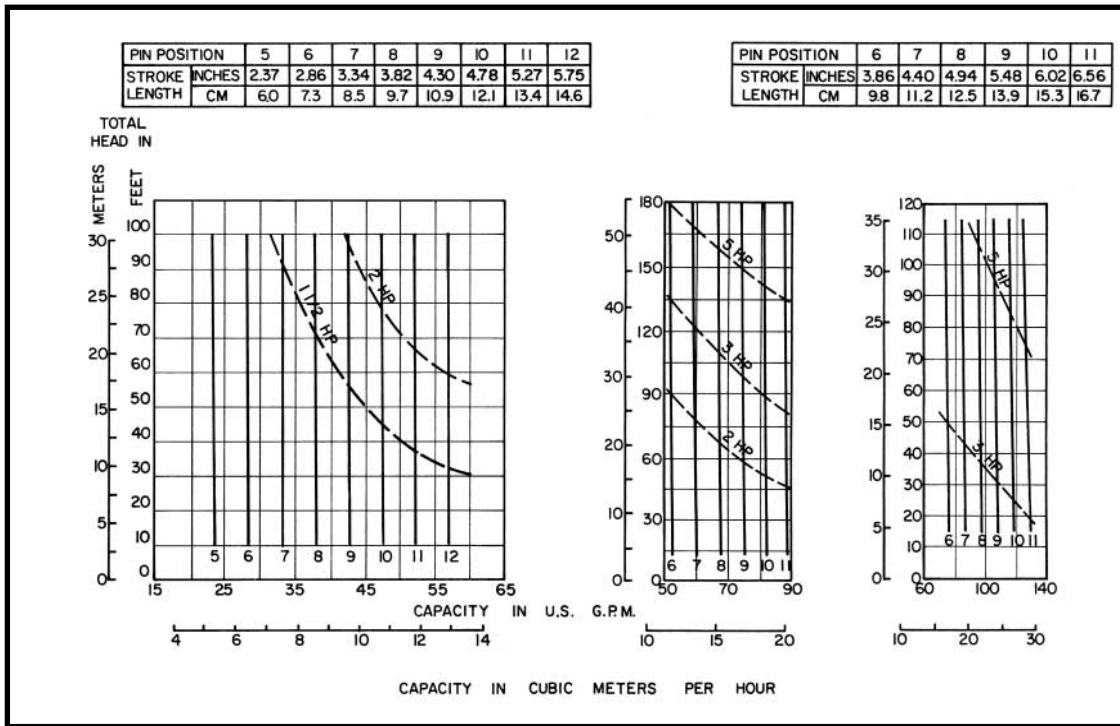
North America
1-888-829-2783

International
+1-201-445-2882

Email
techsupport@wastecorp.com

wastecorp.com

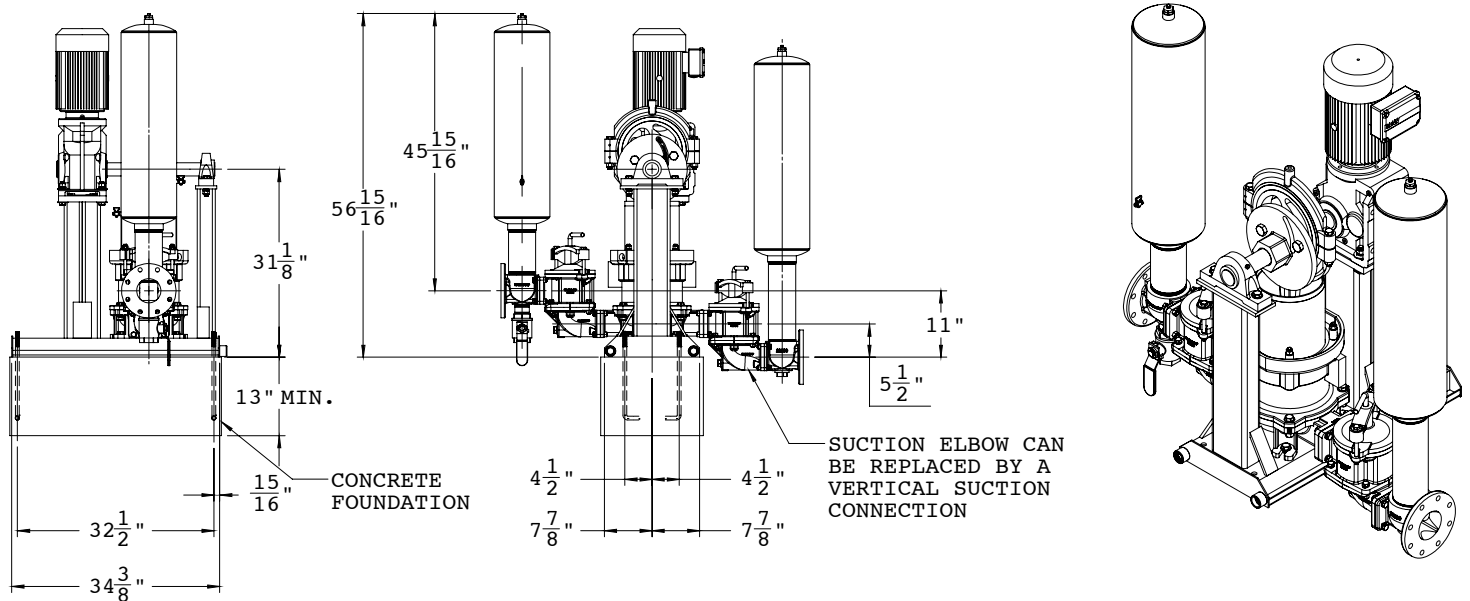
Pump Component	Standard Material	Optional Material
MAINSHAFT	A4140/4142 High-Strength Alloy Steel	
ECCENTRIC	ASTM A48, Class 35 Grey Iron	
LUBRICATION	Manual Sight Feed Oiler, 5 oz	a) Automatic ball-type oiler with needle valve (5 oz), b) Electric Solenoid Oiler, c) Mechanical Force Feed Lubricator
DRIVEN/DRIVE FLANGES	ASTM A48, Class 35 Grey Iron	
BUSHING, SHEAR PIN	Hardened Steel	
SHEAR PIN	Fabricated Cold Rolled Steel	
CONNECTING ROD	ASTM A48, Class 35 Grey Iron	ASTM A536 Grade 65-45-12 Ductile Iron
ECCENTRIC BEARING LINER	Replaceable, Bronze SAE 660	
BUSHING, WRIST PIN	SAE 941 Oil-Lite Bronze	
WRIST PIN	A4140/4142 High-Strength Alloy Steel	
VALVE SEAT	ASTM A48, Class 35 Grey Iron	Bronze Alloy, 316 Stainless Steel
BALL VALVE	5-1/8" Urethane Rubber with Centralized Iron Core	
PLUNGER	ASTM A48, Class 35 Grey Iron	ASTM A536 Grade 65-45-12 Ductile Iron
OPTIONAL PLUNGER COATINGS	PUMP BODY	Coatings Available: a) Chrome Oxide, b) Aluminum Oxide, c) Tungsten Carbide, d) Hastelloy C, e) Stainless Steel
STUFFING BOX	ASTM A48, Class 35 Grey Iron	
GLAND	ASTM A48, Class 35 Grey Iron	
FLANGE CONNECTION	4" ANSI 125 lb (Simplex and Duplex Pumps) 6" ANSI 150 lb (Triplex and Quadruplex Pumps)	
SAMPLING DRAIN VALVE	2" Brass Ball Valve on Discharge	2" Brass Ball Valve on Suction 1" Capped Hose Valve on Suction
AIR CHAMBER	A53 Seamless Steel Pipe, Anodized/Galvanized with 1/4" brass air release valve/petcock	304 or 316 Stainless Steel
PACKING	1/2" sq. Graphite Impregnated Braided with Polyurethane seal	a) Graphite Rings Only, b) Chevron Rings Only, c) Combo (Graphite/Chevron), d) Plunger Pac (Chevron, Teflon and Poly-urethane seal)
PUMP BASE	Fabricated heavy-duty steel channel and tube base plate and pedestals with drip gutters and 1" drain connections	
DRIVE ARRANGEMENT	Constant Speed, Helical horizontal Gearmotor coupled to pump's mainshaft, Max. Output Speed: 50 RPM	a) Constant Speed, Helical Shaft-Mounted vertical Gearmotor (vertical), b) V-Belt/Gear/Pulley System, c) Mechanical Variable Speed Drives, d) Variable Frequency Drives, e) Others – Contact Wastecorp
DRIVE COUPLING	Flexible Grid-Type	a) Disc Coupling, b) Elastomer Coupling, c) Others – Contact Wastecorp



PE-7SS

PE-9SS

PE-11SS



Space Saver™ Series

Space Saving Sewage Pumps

dso 85nyc 11/12

Wastecorp Sludge Master® Plunger Pumps



Wastecorp® Plunger Pumps

Toll-Free
1.888.829.2783

E-mail
info@wastecorp.com

International
+1-201-445-2882


WASTECORP®
PLUNGER PUMPS
OEM MANUFACTURER

The pump depictions are not meant to be used or relied upon as a substitute for the safety and use information that is published in the respective operator's manual. Before operating your plunger pump, read, understand and follow all instructions in the manual and on the pump. Specifications and programs are subject to change without notice. Images may not reflect dealer inventory and/or unit specifications. Wastecorp, PE Series, HPE Series Space Saver, Sludge Master and globes are trademarks of Wastecorp, WPCI Environmental Brands. No reproduction of this document without permission. © Wastecorp.