

TRASH FLOW®
SELF PRIMING TRASH PUMPS
TFCC-8™



**AN 8" SELF PRIMER THAT EXCEEDS EXPECTATIONS
AND THEN SETS NEW ONES.**

With the TFCC-8, you get more than a removable wear plate for easy maintenance and double floating mechanical seals. You get configuration options to suit the needs of your facility like pre-engineered sewage lift stations or engine driven models. Plus, you can transfer up to 2700 GPM with the powerful TFCC-8 Series from Wastecorp Pumps.

FEATURES

TRANSFER UP TO
2700 GPM (613 m³)

MAX. HEAD 110 FT (33 m)

PUMP UP TO 3" (76.2 mm)
SOLIDS

ADJUSTABLE &
SHIMLESS IMPELLER
CLEARANCE

HEAVY DUTY BEARINGS
AND CASTINGS

EASILY REMOVABLE
ROTATING ASSEMBLY

FULL IMPELLER ACCESS

SOLIDS HANDLING
IMPELLER

QUICK SELF PRIMING
CAPABILITIES

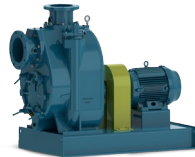
DOUBLE FLOATING
MECHANICAL SEAL

DUAL LIP SEAL BEARING
PROTECTION*

*optional

TRASH FLOW® CONFIGURATIONS

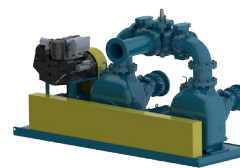
FLEX COUPLED



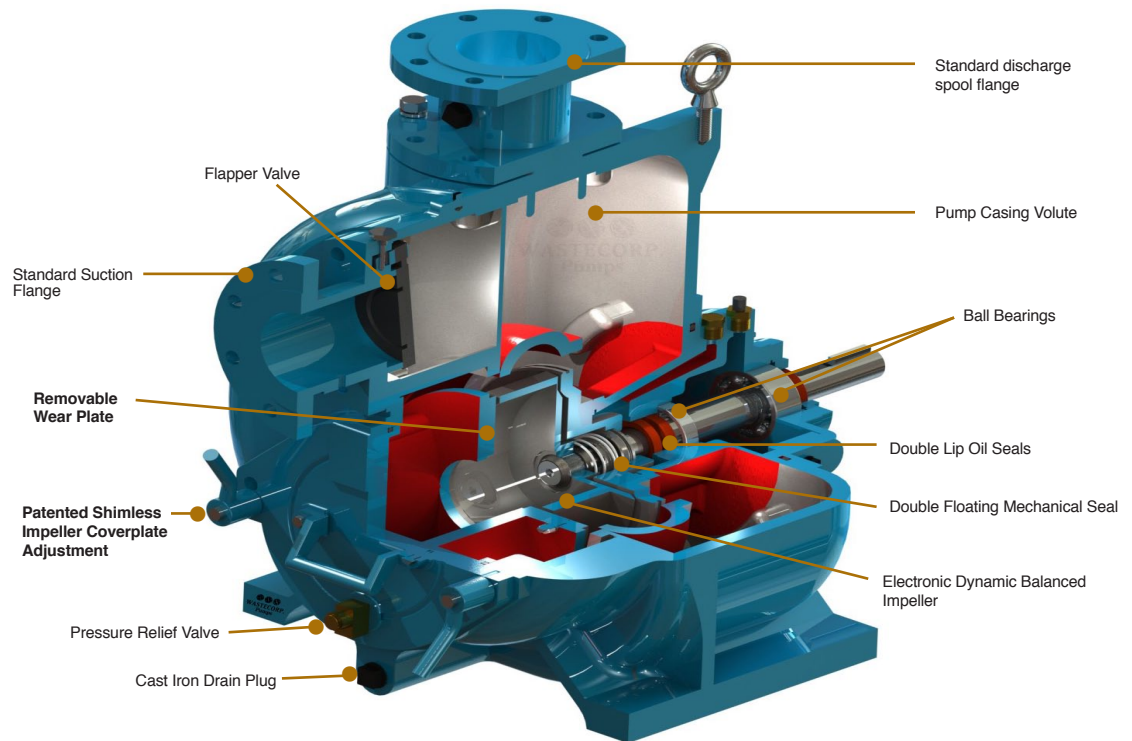
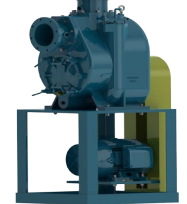
BELT DRIVE VERTICAL



SEWAGE LIFT STATIONS



BELT DRIVE PIGGY BACK



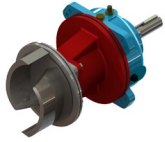
TRASH FLOW®

SELF PRIMING TRASH PUMPS

TFCC-8™

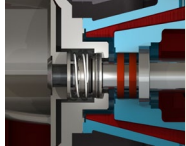


FEATURES



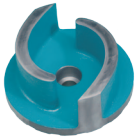
REMOVABLE ROTATING ASSEMBLY

Experience less downtime and maintenance hassles with the Trash Flow's removable rotating assembly. The pump volute and piping are not disturbed during maintenance.



DOUBLE FLOATING MECHANICAL SEAL

Wastecorp's mechanical seals are designed for the harsh pumping conditions in today's municipal and industrial solids handling jobs.



SOLIDS HANDLING IMPELLERS

Trash Flow pumps feature our standard premium two-vane solids handling impellers with solids handling capabilities up to 3" (75mm).



OPTIONAL SUCTION AND DISCHARGE GAUGES

Monitor operating pressure easily with Wastecorp's optional suction and discharge gauges.

OPTIONAL CONFIGURATIONS



SEWAGE LIFT STATIONS

Let our pump designers engineer the ultimate lift station for your facility. We offer complete packaged solutions including control panels, valves and more.



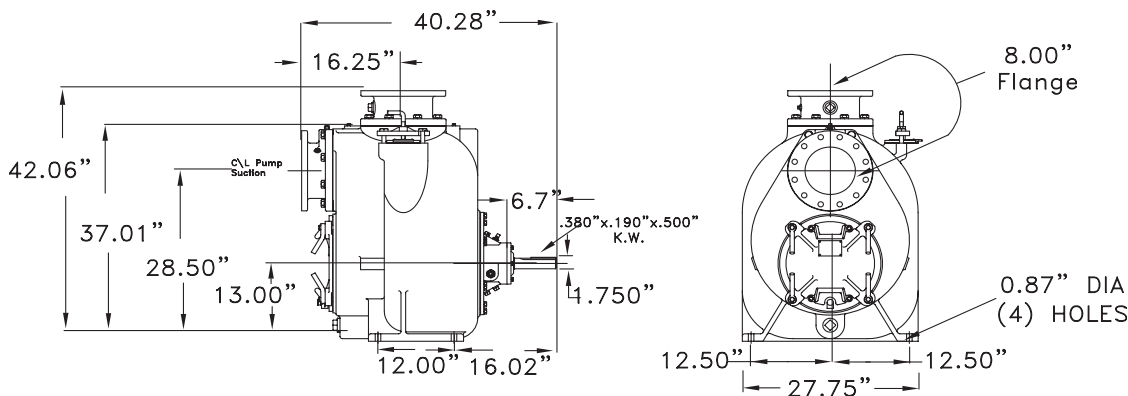
TRAILER OR SKID MOUNT ENGINE

With our trailer or skid mounted diesel engine trash pumps, you'll get a DOT approved solutions for mobile wastewater transfer

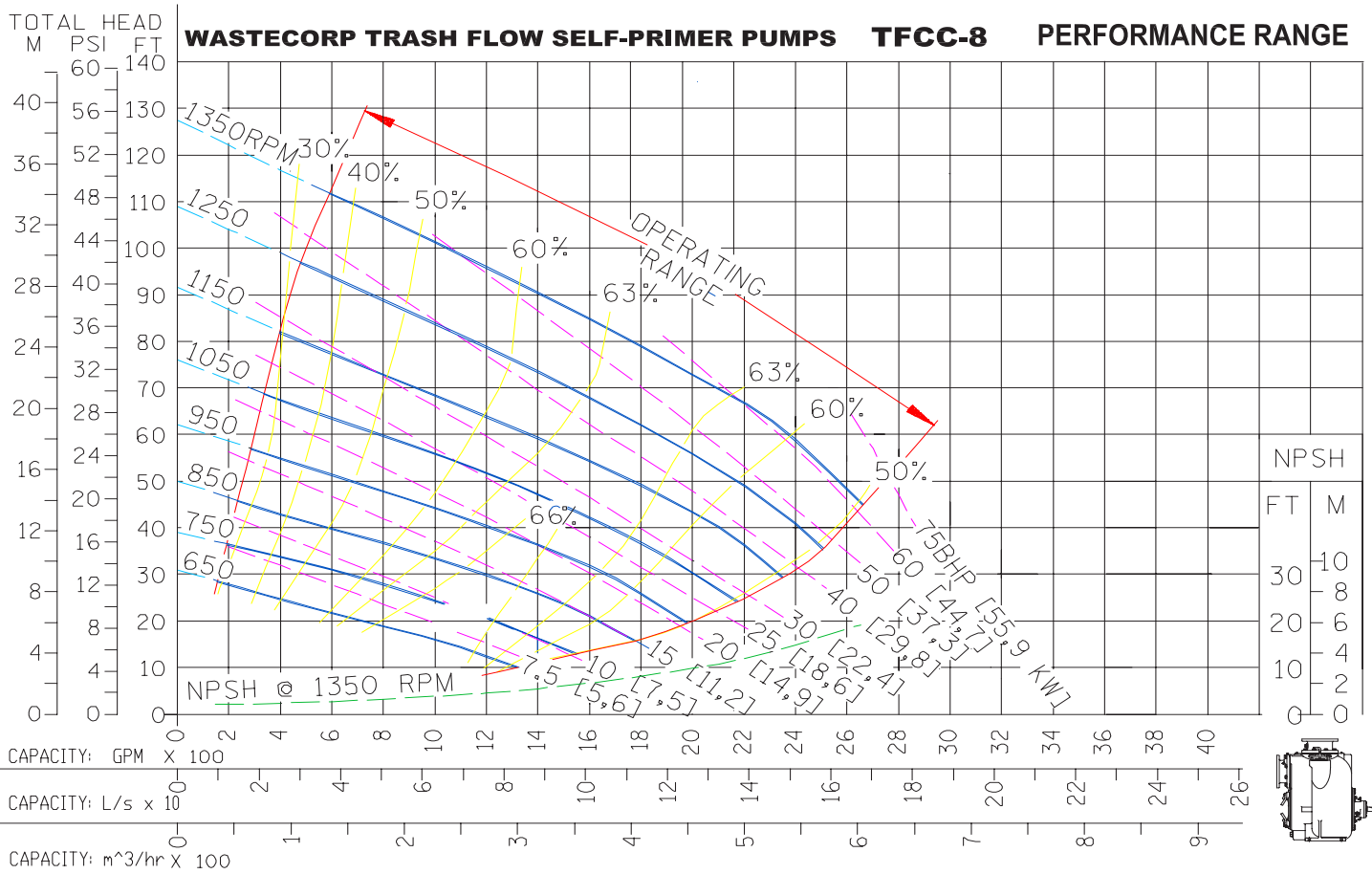
Pump Size	8" x 8" (203mm x 203mm), Grey Iron, ASTM A48; Class 30
Pump Casing	Grey iron, ASTM A48; Class 30
Operating Pressure	Maximum 83 psi (572 kPa)
Impeller	Max. 14.75" OD, Ductile Iron ASTM A536, Grade 60-40-18
Max. Solids	3" (76 mm)
Max. Temperature	160°F (71°C)
Impeller Shaft	ANSI 4140 steel
Wear Plate, Replaceable	SAE 1020 steel
Removable Cover Plate	Grey Iron, ASTM A48; Class 30
Flapper Valve	Neoprene with internal steel weight
Bearing Housing	Grey Iron, ASTM A48; Class 30 (includes oil sight glass and breather valve)
Seal Plate	Grey Iron, ASTM A48; Class 30
Shaft Sleeve	316 stainless steel
Radial/Thrust Bearing	NSK open ball
Bearing/Seal Cavity Lubrication	SAE No. 30 oil
Gaskets	Buna-N, compressed synthetic fibers, vegetable fiber, PTFE, cork, and rubber
O-Rings	Buna-N Teflon coated
Pressure Release Valve	Brass
Oil Level Sight Gauges	Bearing and seal cavity
Net Weight	1295 lb. (587 kg)
Mechanical Seal:	Double floating cartridge type, titanium tungsten-carbide rotating and stationary faces, 316 SS casing and spring, Viton O-Rings.
Optional Equipment and Materials:	Stainless Steel. Automatic air release valve, 120V/240V casing heater. High pump temperature shutdown kit, moisture probe, gauge kit, NPT & DIN standard suction and discharge flanges. Other elastomers available.

Note: Consult factory for applications exceeding maximum pressure and/or temperature indicated.

BARE PUMP DIMENSIONS



Dimensions and weight are approximate. Wastecorp Pumps reserves the right to make changes in design, materials and operating ranges without notice.



REPRIMING LIFTS			
PUMP SPEED		PUMP SPEED	
650 RPM	9 Ft.	1250 RPM	22 Ft.
750 RPM	12 Ft.	1350 RPM	23 Ft.
850 RPM	15 Ft.		
950 RPM	17 Ft.		
1050 RPM	20 Ft.		
1150 RPM	21 Ft.		

Determine NPSHr prior to using repriming table. Do not use as available suction lifts.

$$BHP = \frac{GPM \times FT \times SG}{3960 \times Efficiency} \quad KW = \frac{M^3/HR \times M \times SG}{367 \times Efficiency}$$

Suction lift is limited by the available NPSH which is the corrected atmospheric pressure minus the dynamic suction lift, vapor pressure loss and 2 foot safety factor.

CURVE NO.: 62922-00 MODEL: TFCC-8
 SIZE: 8" x 8" IMPELLER DIA: 14.75"
 RPM: VARIOUS SP. GR.: 1.0 @ 68°F

Factory certified tests are performed using Hydraulic Institute acceptance Level B.

The performance curve shown were taken from actual tests of standard production pumps, and reflect an average performance of the pumps indicated. Wastecorp reserves the right to make changes in design, materials and operating ranges without notice.

CONSULT FACTORY FOR OPERATING CURVES ABOVE 1350 RPM.