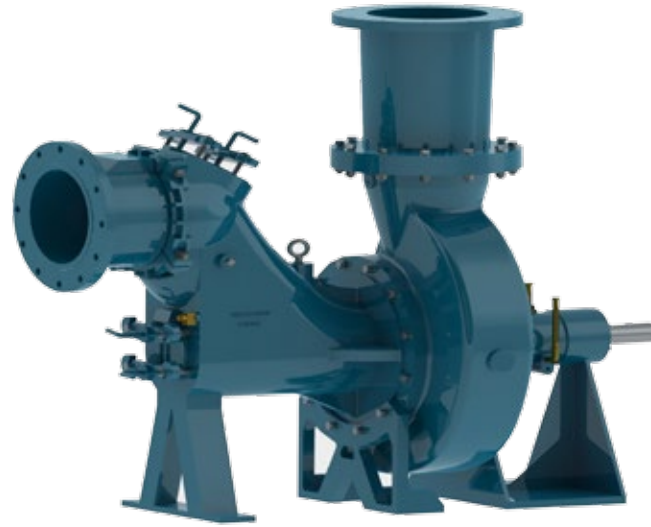


**TRASH FLOW®**  
SELF PRIMING TRASH PUMPS  
**TFCC-12™**



**MEET A 12" TRASH PUMP  
DESIGNED WITH THE OPERATOR IN MIND.**

Introducing the Wastecorp Trash Flow TFCC-12, a 12" trash pump that delivers high performance wastewater transfer up to 6,200 GPM at 104' of head (max). With unmatched fluid transfer productivity you'll spend more time pumping and less time on maintenance, thanks to an easy access rotating assembly and full impeller access. Pump smarter with the new TFCC-12 from Wastecorp's Trash Flow trash pump brand.

**FEATURES**

TRANSFER UP TO  
6200 GPM

MAX. HEAD 104 FT

PUMP UP TO 3" (76.2 mm)  
SOLIDS

QUICK SELF PRIMING  
CAPABILITIES

HEAVY DUTY BEARINGS  
AND CASTINGS

EASILY REMOVABLE  
ROTATING ASSEMBLY

FULL IMPELLER ACCESS

SOLIDS HANDLING  
IMPELLER

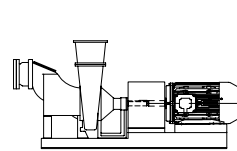
DOUBLE FLOATING  
MECHANICAL SEAL

DUAL LIP SEAL BEARING  
PROTECTION\*

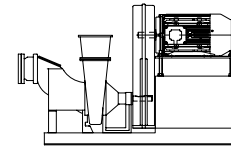
\*optional

**TRASH FLOW® CONFIGURATIONS**

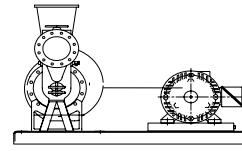
**FLEX COUPLED**



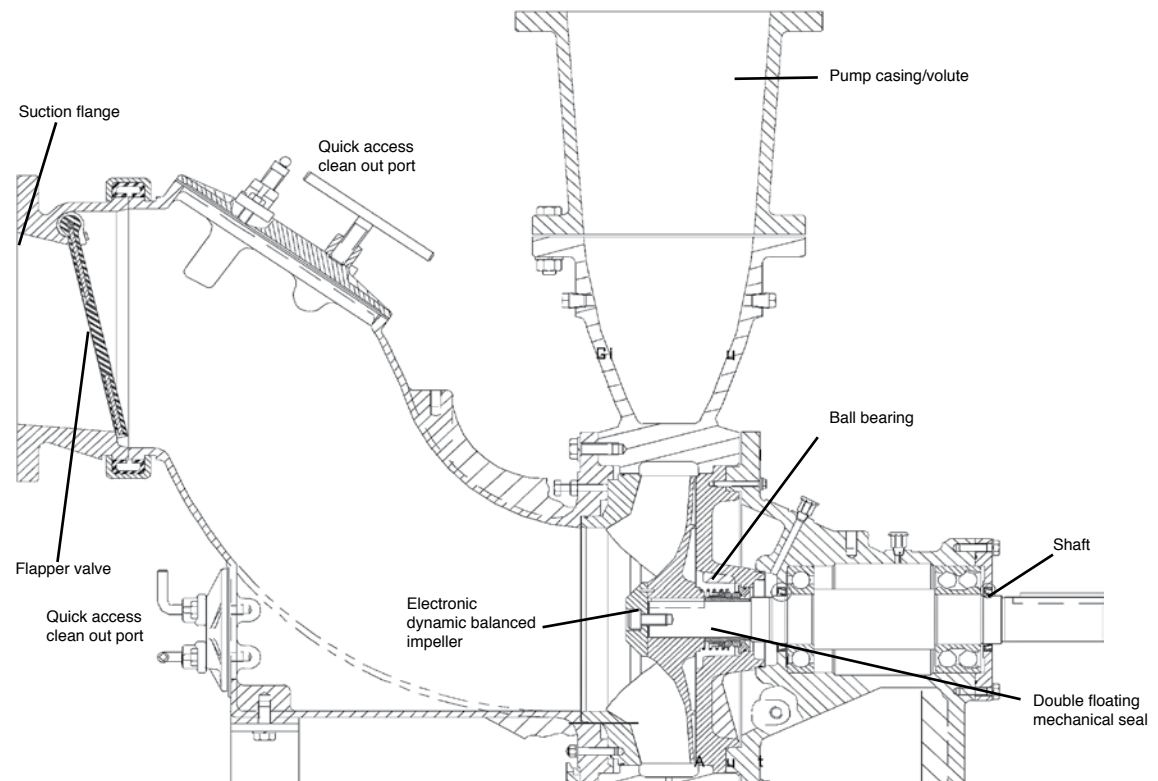
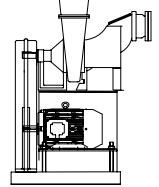
**BELT DRIVE VERTICAL**



**BELT DRIVE HORIZONTAL**



**BELT DRIVE PIGGY BACK**



# TRASH FLOW® SELF PRIMING TRASH PUMPS

## TFCC-12™



### FEATURES



#### REMOVABLE ROTATING ASSEMBLY

Experience less downtime and maintenance hassles with the Trash Flow's removable rotating assembly. The pump volute and piping are not disturbed during maintenance.



#### DOUBLE FLOATING MECHANICAL SEAL

Wastecorp's mechanical seals are designed for the harsh pumping conditions in today's municipal and industrial solids handling jobs.



#### SOLIDS HANDLING IMPELLERS

Trash Flow pumps feature our standard premium two-vane solids handling impellers with solids handling capabilities up to 3" (75mm).



#### OPTIONAL SUCTION AND DISCHARGE GAUGES

Monitor operating pressure easily with Wastecorp's optional suction and discharge gauges.

### OPTIONAL CONFIGURATIONS



#### SEWAGE LIFT STATIONS

Let our pump designers engineer the ultimate lift station for your facility. We offer complete packaged solutions including control panels, valves and more.



#### TRAILER OR SKID MOUNT ENGINE

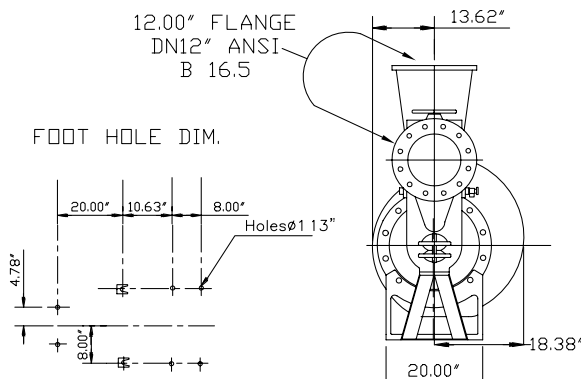
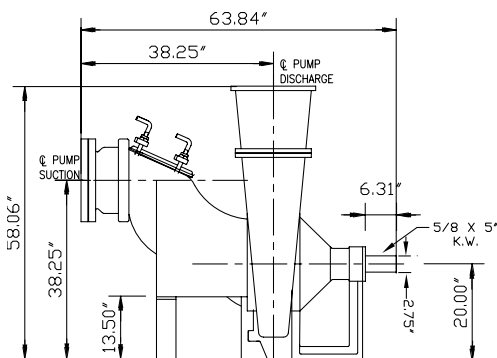
With our trailer or skid mounted diesel engine trash pumps, you'll get up to 153 hp John Deere diesel engines with up to 171 gallon onboard fuel capacity.

<b>Pump Size</b>	12" x 12" [300 mm x 300 mm] ANSI/DIN
<b>Pump Casing</b>	Cast Iron Class 30
<b>Operating Pressure</b>	Maximum 120 psi (797 kPa)
<b>Impeller</b>	Open type, two vane. Material: Ductile Iron Pumps 3" (76,2 mm) spherical solids
<b>Impeller Shaft</b>	ANSI 4140 HT
<b>Wear Plate, Replaceable</b>	Hardened Steel
<b>Cover Plate</b>	Removable/Adjustable Cast Iron Class 30
<b>Flapper Valve</b>	Neoprene with steel reinforcing ring
<b>Bearing Housing</b>	Cast Iron
<b>Seal Plate</b>	Cast Iron
<b>Shaft Sleeve</b>	ANSI 17-4PH SST
<b>Radial Bearing</b>	Open single ball
<b>Thrust Bearing</b>	Open double ball
<b>Bearing/Seal Cavity Lubrication</b>	SAE No. 30 oil
<b>Flanges</b>	125# Ductile Iron ANSI or DIN
<b>Gaskets</b>	Buna-N, compressed synthetic fibers, vegetable fiber, PTFE, cork, and rubber
<b>O-Rings</b>	Buna-N Teflon coated
<b>Hardware</b>	Plated steel/grade 8/SST
<b>Pressure Release Valve</b>	Brass
<b>Oil Level Sight Gauges</b>	Bearing and Seal Cavity
<b>Net Weight</b>	2200 lbs/998 KG
<b>Optional Equipment and Materials:</b>	Stainless Steel. Automatic air release valve, 120V/240V casing heater. High pump temperature shutdown kit, moisture probe, gauge kit, NPT & DIN standard suction and discharge flanges. Other elastomers available.

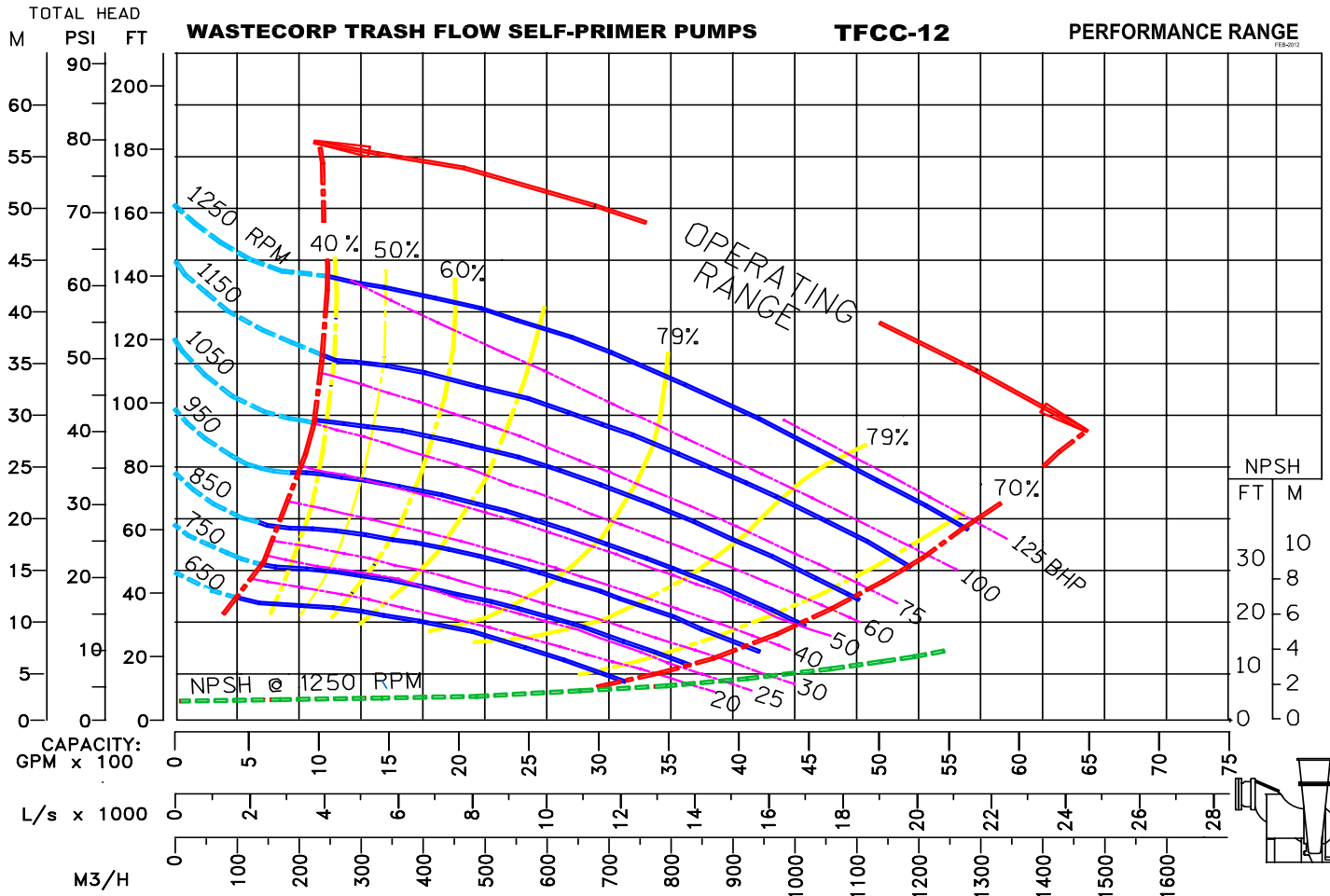
<b>Seal Specifications:</b>	Mechanical oil-lubricated, double floating, self-aligning seal. Titanium & Tungsten Carbide rotating and stationary faces. Stainless steel metal components. Maximum temperature of liquid pumped 180°F/83°C.
-----------------------------	---

Note: Consult factory for applications exceeding maximum pressure and/or temperature indicated.

### BARE PUMP DIMENSIONS



Dimensions and weight are approximate. Wastecorp Pumps reserves the right to make changes in design, materials and operating ranges without notice.



**REPRIMING LIFTS**

PUMP SPEED	6 Ft.	PUMP SPEED	16 Ft.
650 RPM	6 Ft.	1250 RPM	16 Ft.
750 RPM	9 Ft.		
850 RPM	13 Ft.		
950 RPM	15 Ft.		
1050 RPM	16 Ft.		
1150 RPM	16 Ft.		

Determine NPSHr prior to using repriming table. Do not use as available suction lifts.

$$BHP = \frac{GPM \times FT \times SG}{3960 \times Efficiency} \quad KW = \frac{M^3 / HR \times M \times SG}{367 \times Efficiency}$$

Suction lift is limited by the available NPSH which is the corrected atmospheric pressure minus the dynamic suction lift, vapor pressure loss and 2 foot safety factor.

CURVE NO.: 62924-00    MODEL: TFCC-12  
 SIZE: 12" x 12"    IMPELLER DIA: 14.75"  
 RPM: VARIOUS    SP. GR.: 1.0 @ 68°F

The performance curve shows tests taken from actual tests of standard production pumps, and reflect an average performance of the pumps indicated. Wastecorp reserves the right to make changes in design, materials and operating ranges without notice.

CONSULT FACTORY FOR OPERATING CURVES 1250 RPM AND ABOVE.